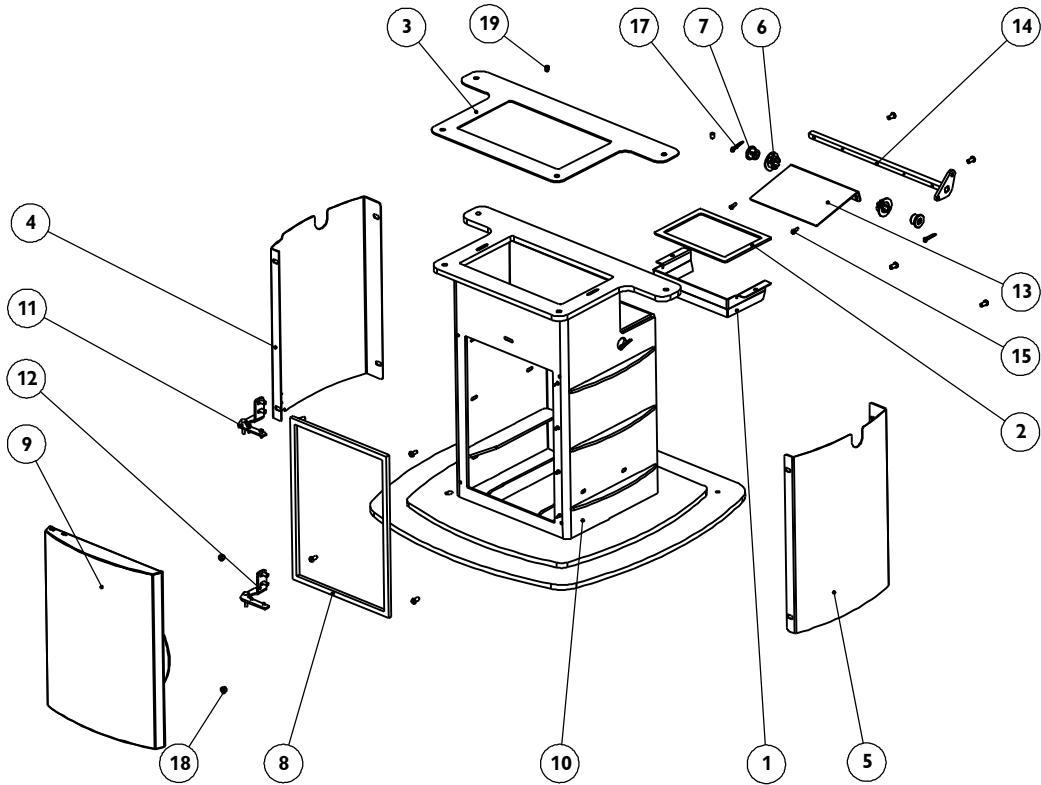




Issue C



Item	Part No.	Description	Ex.Vat.	Inc.Vat.	Item	Part No.	Description	Ex.Vat.	Inc.Vat.
1	004/ES06/12	Ash Guide	7.05	8.46	11	010/ES06/26	Hinge Upper	13.60	16.32
2	008/ES06/16	Gasket Ash Flap	15.00	18.00	12	010/ES06/27	Hinge Lower	13.60	16.32
3	008/ES06/17	Gasket Column	14.20	17.04	13	004/ES08/08	Ash Flap	10.70	12.84
4	004/ES06/19	L.H. Column Side	29.50	35.40	14	010/ES08/11	Flap Pivot Arm Assy	18.40	22.08
5	004/ES06/20	R.H. Column Side	29.50	35.40	15	008/FFS040	M4 x 10 Pozi Pan Hd	0.10	0.12
6	008/ES06/21	Bearing Ash Flap	3.95	4.74	16	008/FFS003	M5 x 10 Pan Hd	0.20	0.24
7	008/ES06/22	Flap Pivot	3.95	4.74	17	008/FFP001	Splitpin 3.7mm Dia	0.10	0.12
8	008/ES06/23	Ash Door Seal	4.25	5.10	18	008/FFM041	Magnet	2.20	2.64
9	004/ES06/10	Ash Door Assy	43.50	52.20	19	008/FFS068	Grubscrew M8 x 10	0.91	1.09
10	010/ES06/25	Column Body	365.00	438.00					

Please specify colour when ordering Prices are shown in pounds sterling with vat at 20% They are correct at the date shown but may be subject to change without notice. E. & O.E These prices are subject to a carriage charge.

To obtain spare parts please contact your local stockist giving Model, Part No. and Description. In case of difficulty contact the manufacturer at the address shown. This drawing is for identification purposes only.

