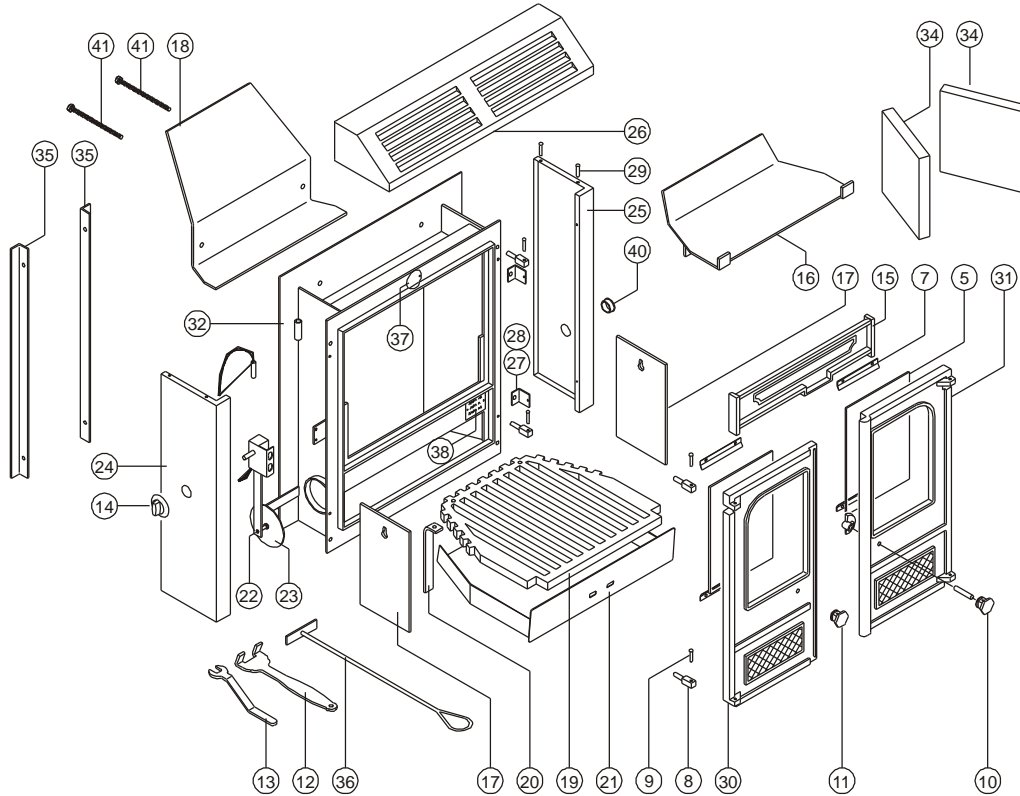




**Issue H**



Item	Part No.	Description	Ex.Vat.	Inc.Vat.	Item	Part No.	Description	Ex.Vat.	Inc.Vat.
3*	008/RW35/S	Door Seal Set Incl. Adhesive .....	30.00	36.00	22	008/BW49	Thermostat .....	61.00	73.20
4*	008/FW29	Door Seal Adhesive .....	11.20	13.44	23	008/BW57	Thermostat Flap 90mm Dia .....	9.35	11.22
5	006/RW18	Glass (Inc Seal) .....	71.00	85.20	24#	005/RW05	Side Panel L.H. ....	95.00	114.00
6*	008/RW55	Glass Seal Kit .....	13.40	16.08	25#	005/RW04	Side Panel R.H. ....	95.00	114.00
7	004/EW23	Glazing Bar .....	4.05	4.86	26#	005/RW06	Hood Panel .....	142.00	170.40
8	008/FW27	Hinge Post .....	6.85	8.22	27	004/RW13	Panel Fixing Bracket .....	4.25	5.10
9	008/BW39/S	Hinge Pin Set .....	3.80	4.56	28	012/RW30	Hood & Panel Fixing Kit .....	13.60	16.32
10	008/RW43/A	Door Catch Assembly R.H. ....	23.50	28.20	29	008/WW145	Hood Fixing Pin Set (4) .....	4.85	5.82
11	002/HV12	Door Knob L.H. (Round) .....	15.70	18.84	30#	003/RW01/A	Door L.H. Assembly .....	184.00	220.80
12	010/EV20	Ashpan Tool .....	NA		31#	003/RW02/A	Door R.H. Assembly .....	192.00	230.40
13	002/BW26	Door Opening Tool .....	11.20	13.44	32	001/EV10	Firebox (LA Firefront Mk I)		
14	008/BW50	Thermostat Knob .....	4.85	5.82	34	011/EV28S	Set of Firebricks (Optional) .....	83.00	99.60
15	002/FW07	Front Firebar .....	82.00	98.40	35	010/EV13S	Frame Kit (Optional) .....	41.50	49.80
16	010/EV09	Throat Plate .....	73.00	87.60	36	012/FW34	Scraper Tool .....	13.20	15.84
17	010/EV04	Side Plate .....	23.00	27.60	37	008/RW09	Secondary Air Flap .....	4.55	5.46
18	010/EV03	Clamping Plate .....	37.50	45.00	38	012/EV08	Serial Number Label .....	NA	
19	002/EV12	Bottom Grate .....	63.00	75.60	39*	010/EW51	Ash Carrier (Optional Extra) .....	122.00	146.40
20	010/EV11	Grate Leg .....	3.30	3.96	40	012/EV14	Bung .....	14.10	16.92
21	004/EV17	Ashpan (Tapered) .....	76.00	91.20	41	010/EV18	Clamping Bolt .....	4.65	5.58

\* These items are not shown on the drawing. Prices are shown in pounds sterling with vat at 20% They are correct at the date shown but may be subject to change without notice. E. & O.E These prices are subject to a carriage charge.

To obtain spare parts please contact your local stockist giving Model, Part No. and Description. In case of difficulty contact the manufacturer at the address shown. This drawing is for identification purposes only.

