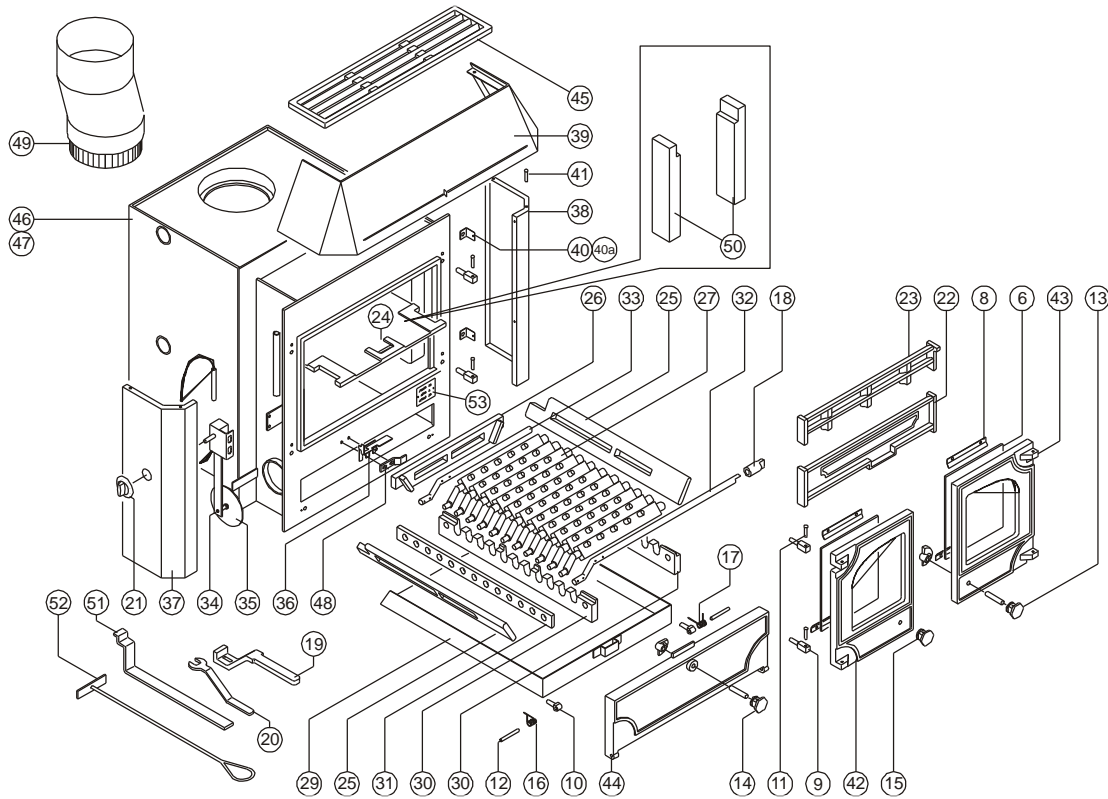




Issue K



Item	Part No.	Description	Ex.Vat.	Inc.Vat.	Item	Part No.	Description	Ex.Vat.	Inc.Vat.
4*	008/EW35S	Door Seal Set Inc Adhesive	30.00	36.00	31	012/EW33	Mover Bar	48.00	57.60
5*	008/FW29	Door Seal Adhesive	11.20	13.44	32	012/FW14	Riddler Rod	36.00	43.20
6	006/FW30	Glass (Inc Seal)	43.50	52.20	33	012/CG05	Idle Rod	34.50	41.40
7*	008/EW45	Glass Seal Kit	13.40	16.08	34	008/FW48	Thermostat	54.50	65.40
8	004/EW23	Glazing Bar	4.05	4.86	35	008/BW57	Thermostat Flap 90mm Dia	9.35	11.22
9	008/FW27	Hinge Post	6.85	8.22	36	004/BW46	Over Run Catch	11.40	13.68
10	008/FW28	Hinge Post	7.15	8.58	37#	005/WW05L	Side Panel L.H.	NA	
11	008/BW39/S	Hinge Pin Set	3.80	4.56	38#	005/WW05R	Side Panel R.H.	NA	
12	008/BW40/S	Hinge Pin A/P Door Set	4.85	5.82	39#	005/WW06	Hood Panel	NA	
13	008/BW41/A	Door Catch Assembly R.H.	23.50	28.20	40	004/WW13	Panel Fixing Bracket	NA	
14	008/BW42/A	Door Catch Assembly Ashpit	23.50	28.20	40a	012/WW30	Hood & Panel Fixing Kit	13.60	16.32
15	002/HV12	Door Knob L.H. (Round)	15.70	18.84	41	008/WW14S	Hood Fixing Pin Set (4)	4.85	5.82
16	008/BW43L	Ashpit Door Spring L.H.	4.55	5.46	42#	003/EW01	Door L.H.	NA	
17	008/BW43R	Ashpit Door Spring R.H.	4.55	5.46	43#	003/EW02	Door R.H.	NA	
18	002/CG06	Riddler Knob	20.50	24.60	44#	003/FW03	Ashpit Door	NA	
19	002/BW20	Riddler/Ashpan Tool	26.50	31.80	45#	003/FW04	Top Grid	NA	
20	002/BW26	Door Opening Tool	11.20	13.44	46	009/DX50iB/A	Firebox Assembly (DX50iB)	NA	
21	008/BW50	Thermostat Knob	4.85	5.82	47	009/DX45iB/A	Firebox Assembly (DX45iB)	NA	
22	002/FW07	Front Firebar	82.00	98.40	48	012/BW45	Ashpit Door Bracket	NA	
23	002/FW08	Deepening Bar	56.00	67.20	49	012/FW12	Flue Offset (Optional Extra)	NA	
24	002/FW32	Throat Plate	71.00	85.20	50	011/JW09	Fire Brick (45iB)	20.00	24.00
25	002/FW15	Side Fire Plate	44.00	52.80	51	008/FW33	Throatplate Tool	11.90	14.28
26	002/FW16	Back Fire Plate	36.00	43.20	52	012/FW34	Scraper Tool	13.20	15.84
27	002/CG01	Bottom Grate Bar	16.90	20.28	53		Serial No. Label		
28	002/CG01S11	Set of Grate Bars (11 Per Set)	152.00	182.40	54*	010/FW51	Ash Carrier (Optional Extra)	118.00	141.60
29	004/FW17	Ashpan	75.00	90.00	55*	008/TH02/L	Low Level Pipe Stat (Opt'l Extra)	61.00	73.20
30	002/EW30	Carrier Bar	52.50	63.00					

* These items are not shown on the drawing.

Please specify colour when ordering. Prices are shown in pounds sterling with vat at 20% They are correct at the date shown but may be subject to change without notice. E. & O.E These prices are subject to a carriage charge.

To obtain spare parts please contact your local stockist giving Model, Part No. and Description. In case of difficulty contact the manufacturer at the address shown. This drawing is for identification purposes only.

